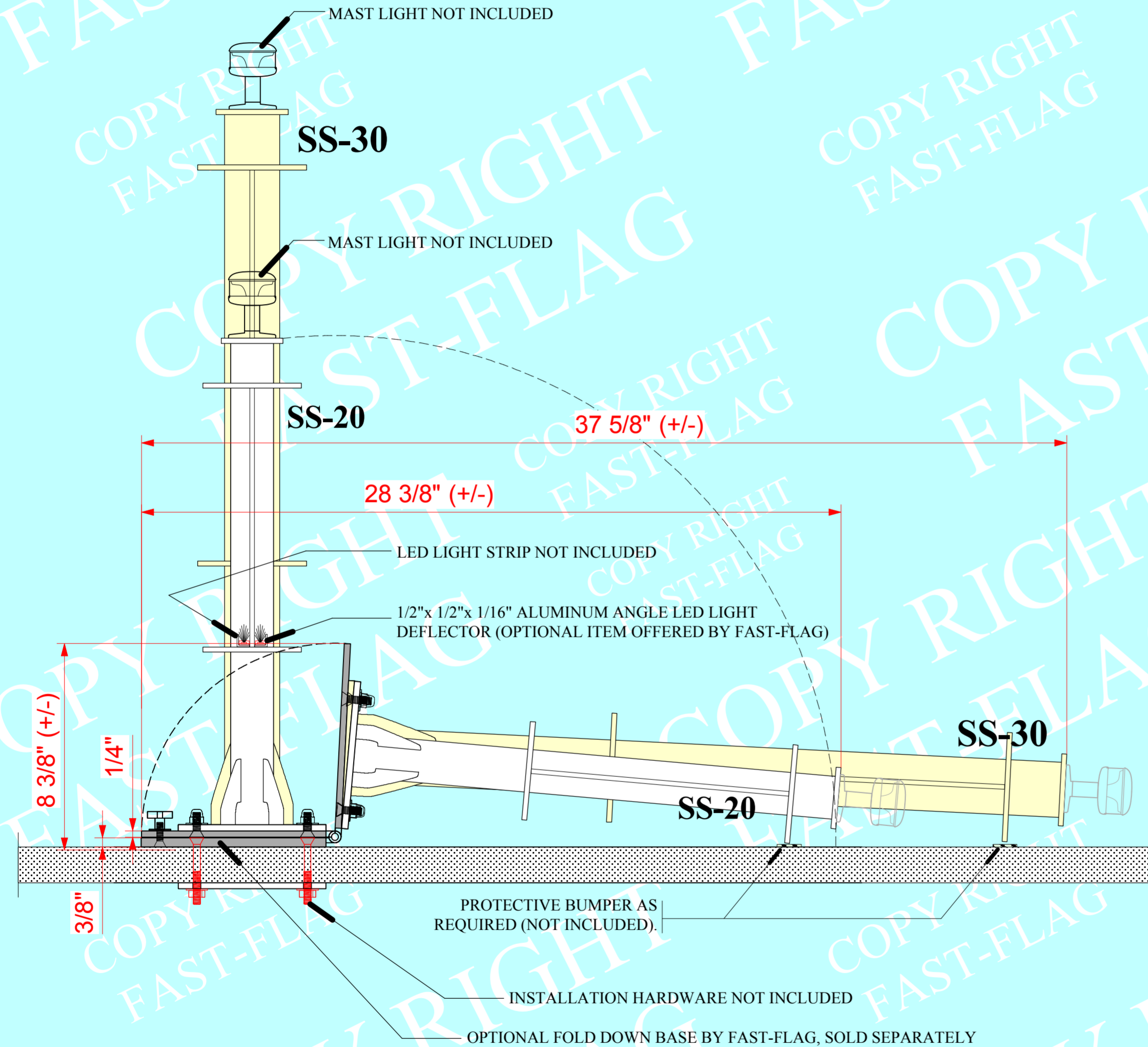
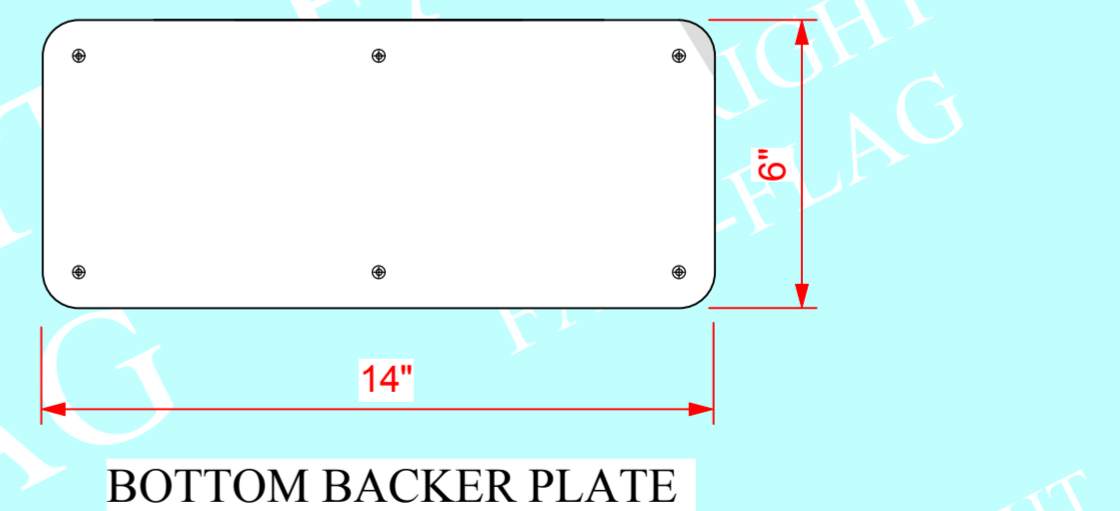
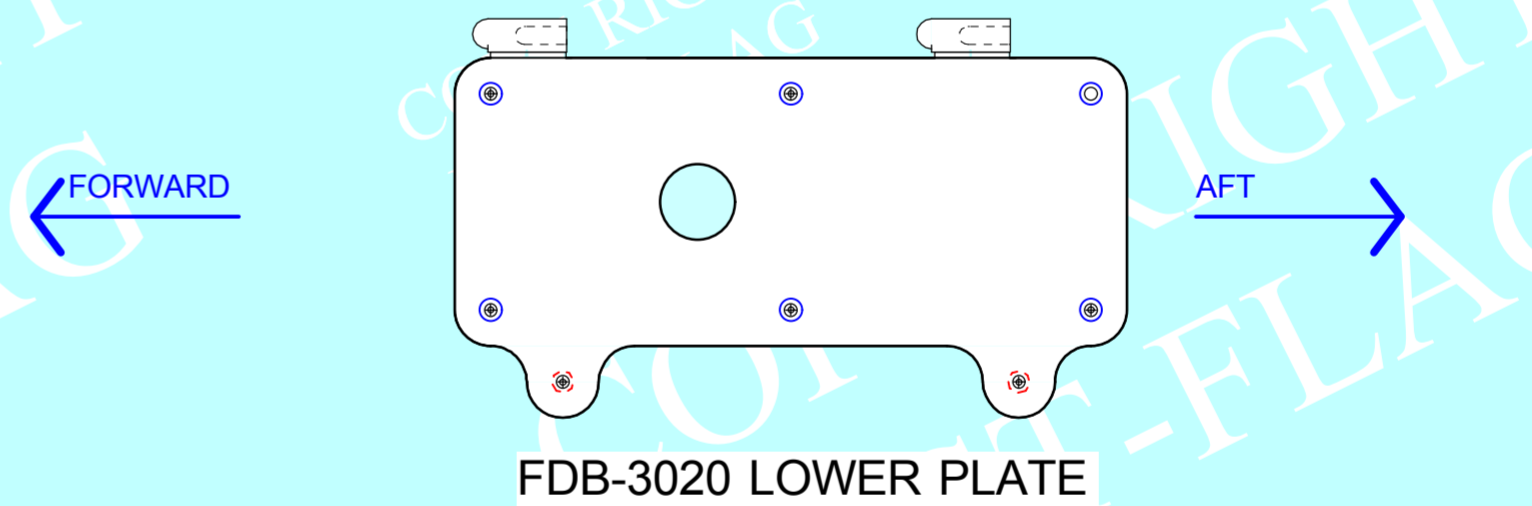
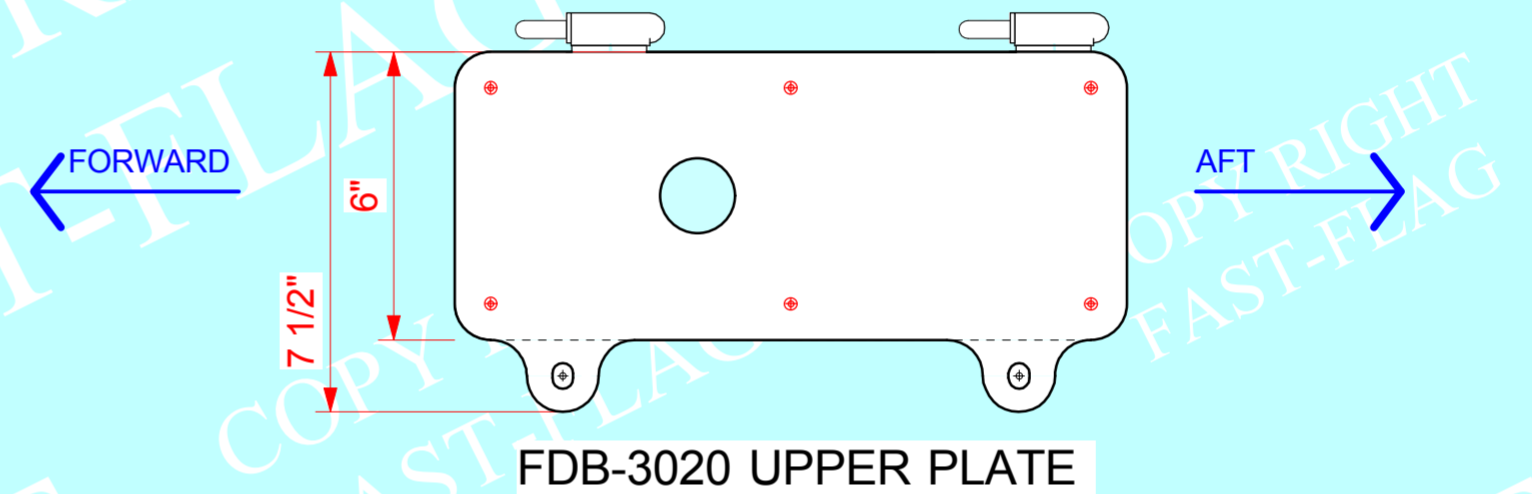
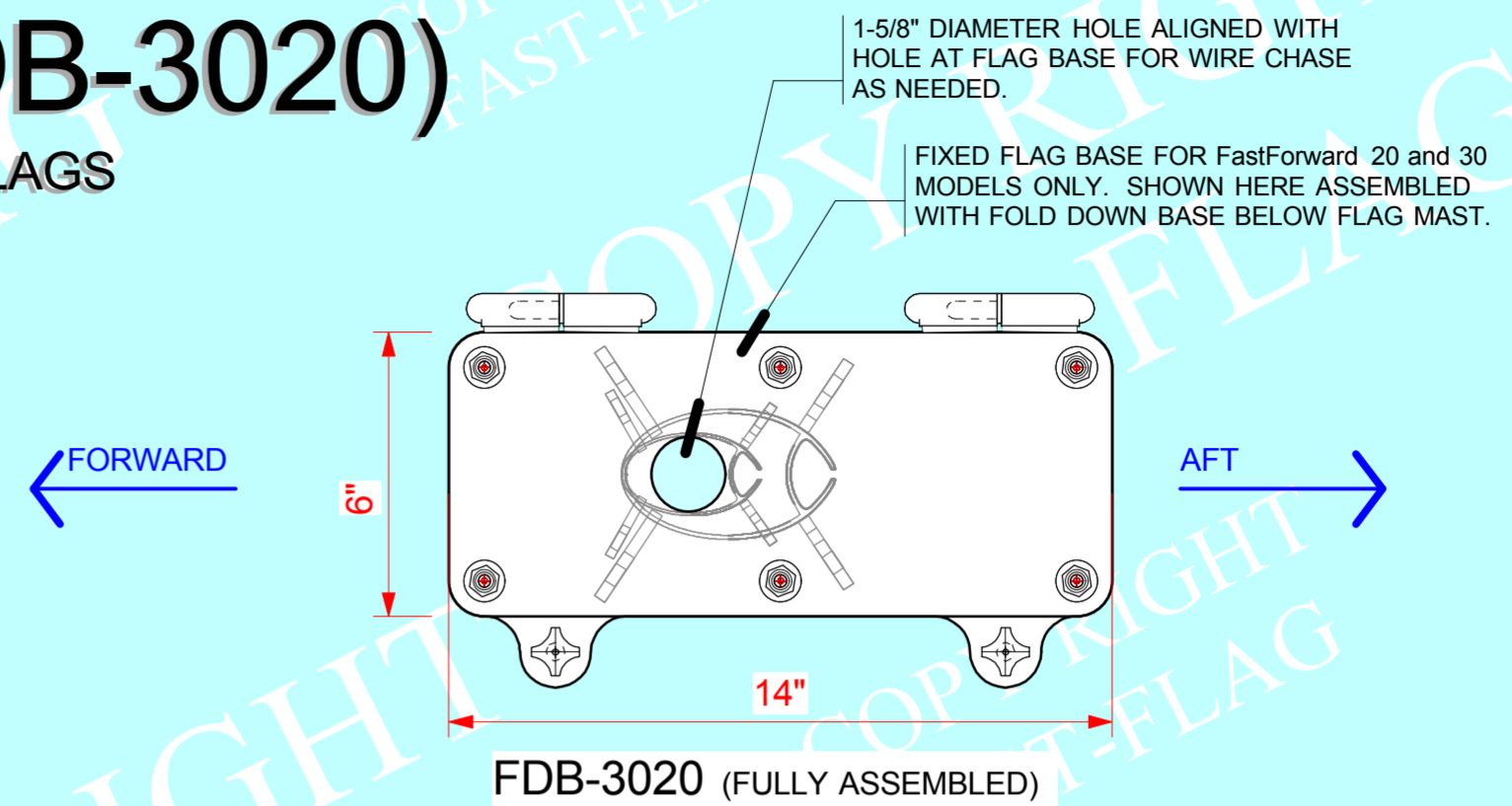


# Fold Down Base: (FDB-3020)

DESIGNED FOR ALL 20" AND 30" FLAGS



**AFT VIEW: FDB-3020 WITH SS-30 & SS-20 ATTACHED**



U.S. Patent No. 10, 783,812  
U.S. Patent No. 10, 783,813  
Foreign Patent Pending

CONFIDENTIAL AND PRIVILEGED: This document and any attachments may contain information that is privileged, confidential, patent, trademark, and copyright protected. The information herein is protected from disclosure to anyone other than its intended recipient(s). Any dissemination or use of this document or its contents, including any attachments by persons other than the intended recipient(s) is strictly prohibited.

**FOLD DOWN BASE: FDB-3020**

**SPECIFICATIONS**

CONFIDENTIAL AND PRIVILEGED: This document and any attachments may contain information that is privileged, confidential, patent, trademark, and copyright protected. The information herein is protected from disclosure to anyone other than its intended recipient(s). Any dissemination or use of this document or its contents, including any attachments by persons other than the intended recipient(s) is strictly prohibited.



FAST-FLAG LLC  
3425 Radio Road, Suite 213  
Naples, FL 34104  
Office: 239-629-6662  
Cell: 301-466-3391  
Fax: 239-629-5274  
tom@fast-flag.com  
www.yourfastflag.com

ISSUE DATE: 1-5-22  
DRAWN BY:  
REVISIONS:

**COPY RIGHT NOTICE:**  
THIS DRAWING, ALL CONTENTS AND INFORMATION CONTAINED HEREIN IS THE EXCLUSIVE PROPERTY OF FAST-FLAG, LLC. UNAUTHORIZED USE OF THESE PLANS WITHOUT THE PRIOR WRITTEN CONSENT IS STRICTLY PROHIBITED.

**SPECS:**  
**FDB-3020**

DWG #: